

# BENEFITS OF USING PARITON WALL



- light in weight
- economical
- precision and high quality
- fast in installation
- easy to install
- fire and termite resistance
- applicable for most types of buildings

1 preparation of installation of pariton



2 procces of installation of pariton wall

3 joint between pariton wall covered with mortar.

4 pariton wall completely installed.

# PHOTOGRAPH



FOR A BETTER, ECONOMICAL AND FASTER WAY IN CONCRETE CONSTRUCTIONS



## HOLLOW CORE WALL

MANUFACTURER :  
**PT PANEL RINGAN BETON PERKASA**

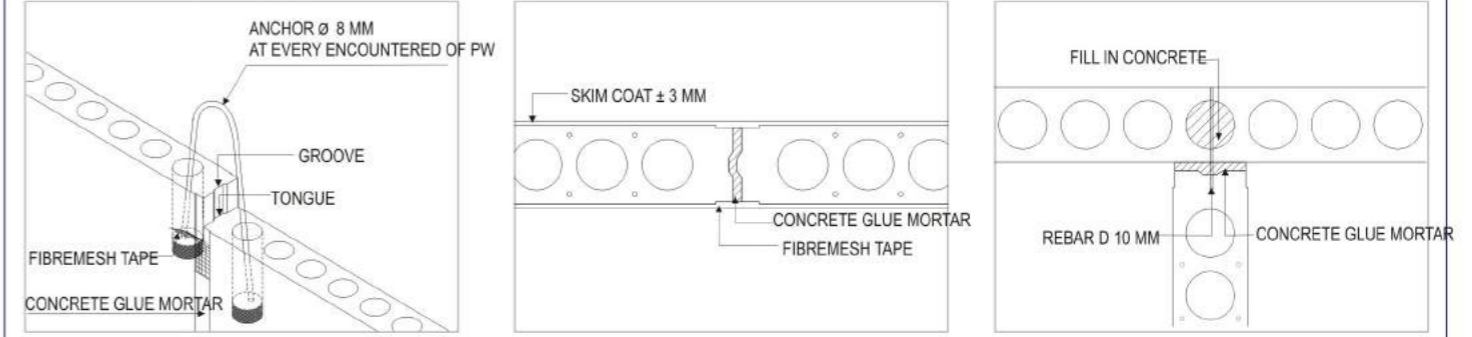
Office :  
Jl. Bangunan Barat No : 14, Jakarta 13210  
Phone : 62-21 – 4786 5551  
: 62-21 – 4786 5563  
Fax : 62-21 – 489 4134

### TECHNICAL SPECIFICATION

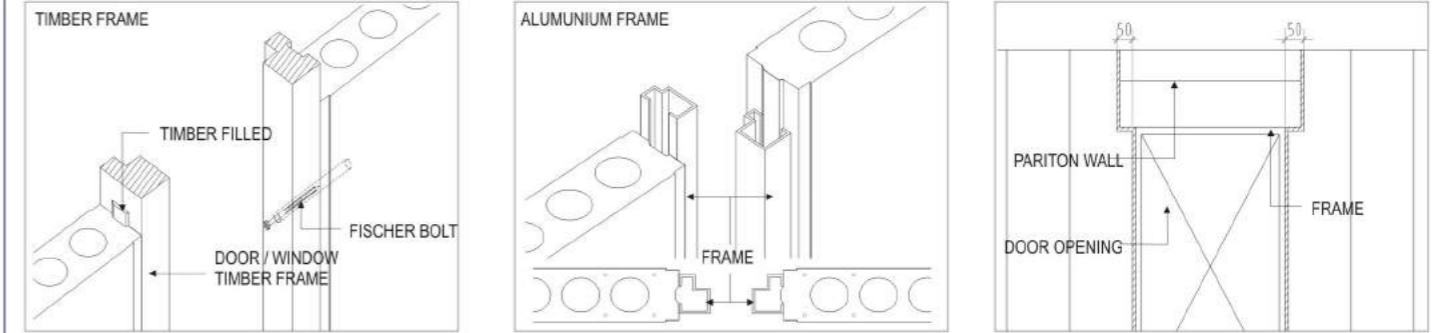
- Production Method : extruder / slipform system
- Rebar : steel-wire Ø 2 mm & Ø 3 mm
- Material : sand, cement and fly ash
- Thickness : 90 mm ± 5 mm
- Standard Width : 600 mm ± 5 mm
- Length : max 3.500 mm

### DETAIL OF PARITON WALL INSTALLATION

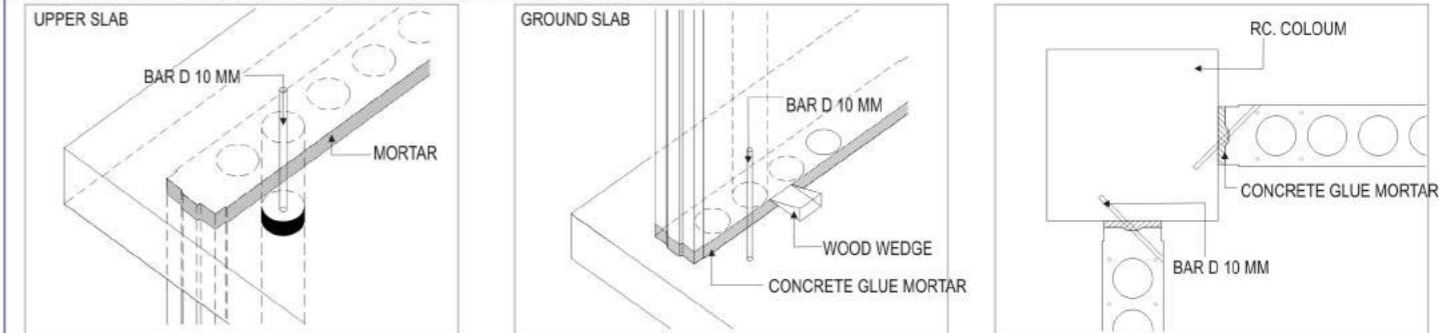
#### JOINT BETWEEN PARITON WALL W/ PARITON WALL



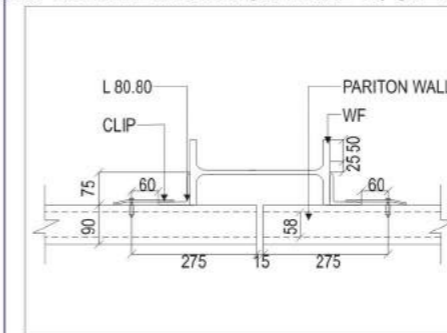
#### JOINT BETWEEN PARITON WALL W/ DOOR / WINDOW FRAMES



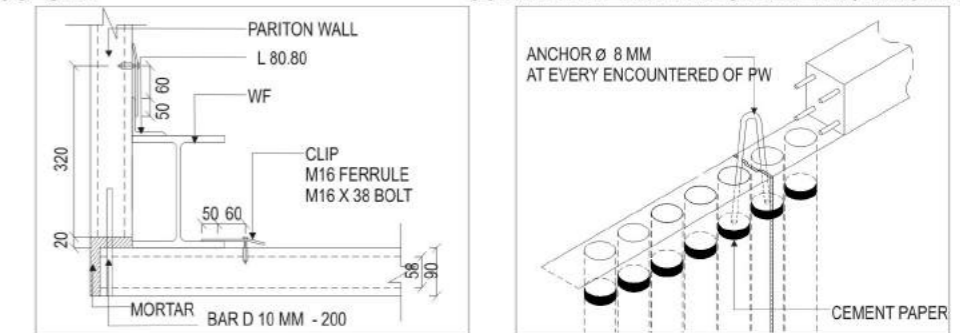
#### JOINT BETWEEN PARITON WALL W/ CONCRETE SLAB / CONCRETE COLUMN



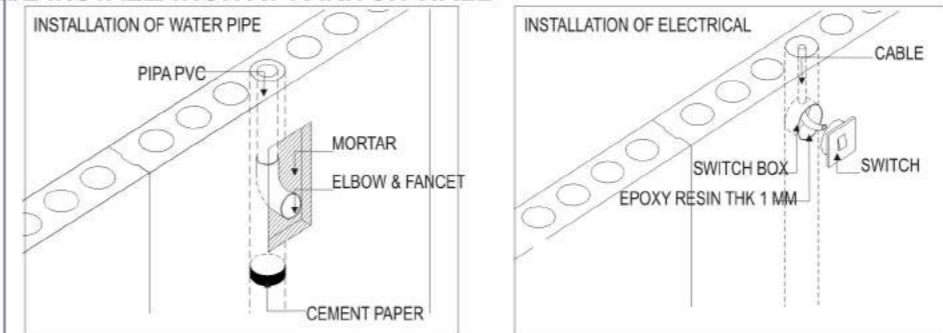
#### JOINT BETWEEN PARITON WALL W/ STEEL COLUMN



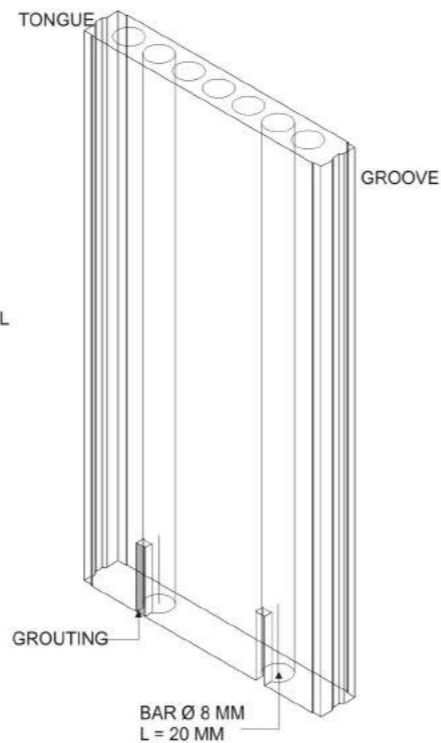
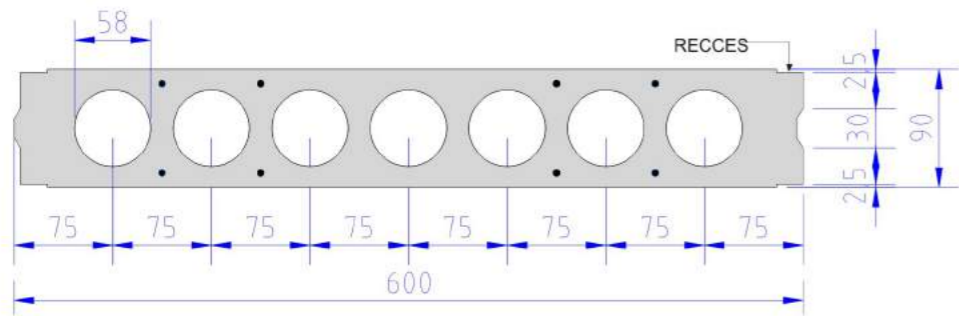
#### JOINT BETWEEN PARITON WALL W/ RING BEAM



#### M/E INSTALLATION AT PARITON WALL



### DIMENSION OF PARITON WALL



ISOMETRIC VIEW OF PARITON WALL

